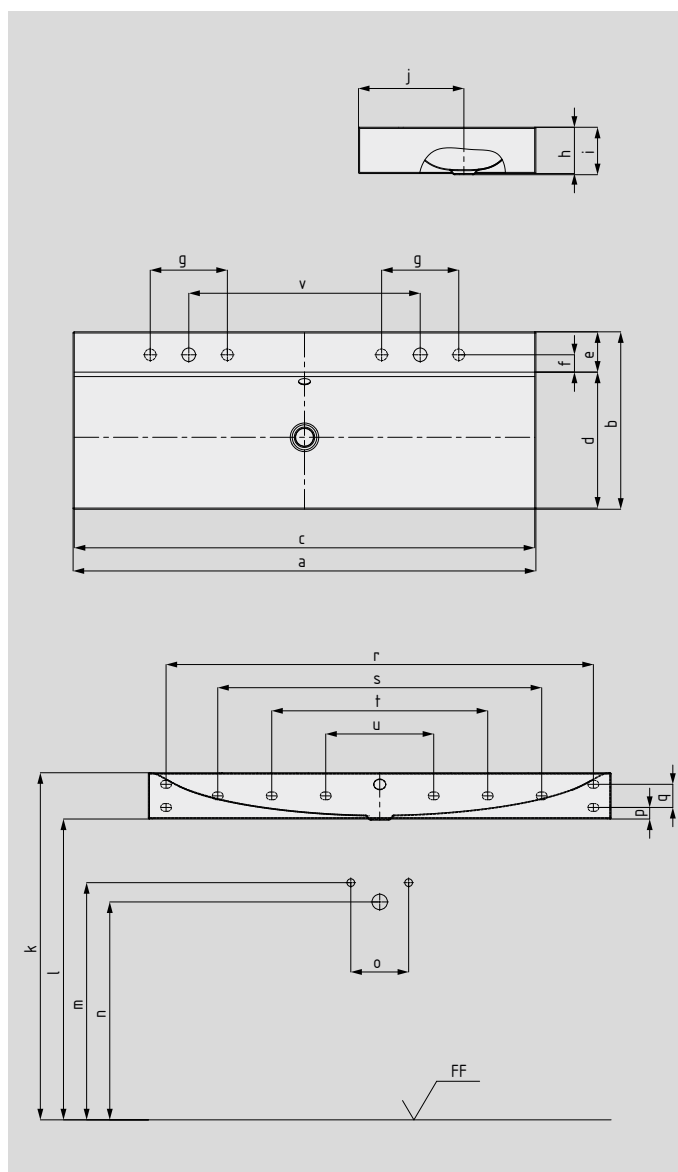


SILENIO WALL-MOUNTED WASHBASIN

- fluid and sensually modern design all at once
- optimum comfort through generous dimensioning of the washbasin
- soft, organic interior shape
- geometry allows fittings with short spout leaving ample space for washing
- together with the SILENIO bath and SCONA shower surface, they form a perfect bathroom fitted out entirely with steel enamel
- designed by Anke Salomon



Similar illustrations



Model No.		3044	3045	3046
External length	a	600	900	1200 mm
External width	b	460	460	460 mm
Internal length	c	594	894	1194 mm
Internal width	d	352,5	352,5	352.5 mm
Depth of tap deck	e	104,5	104,5	104.5 mm
Distance tap holes to edge	f	45	45	45 mm
Distance of tap holes	g	200	200	200 mm
Height of rim	h	120	120	120 mm
Distance basin surface to bottom edge of waste hole	i	123	123	123 mm
Distance rear edge to centre of waste hole	j	273,4	273,4	273.4 mm
Distance FF*1 to top edge of basin surface	k	820-850	820-850	820-850 mm
Distance FF*1 to bottom edge (washbasin)	l	700-730	700-730	700-730 mm
Distance FF*1 to centre of water inlet	m	570-600	570-600	570-600 mm
Distance FF*1 to centre of drain hole wall connection	n	520-580	520-580	520-580 mm
Distance hot/cold water inlet	o	80-150	80-150	80-150 mm
Distance bottom edge to centre of fixing hole	p	30	30	30 mm
Centre-to-centre distance of fixing holes	q	60	60	60 mm
Outer distance of fixing holes*2	r	520	808	1108 mm
Central distance of fixing holes*2	s			840 mm
Central distance of fixing holes*2	t		560	560 mm
Inner distance of fixing holes*2	u		280	280 mm
Distance of tap holes	v			600 mm
Weight of the enamelled washbasin in kg		10,6	12,7	15,8

*1 Finished floor level.

*2 Check the recommended number of fixing holes before purchasing the fittings (varies depending on size of washbasin). Subject to technical alterations, tolerances and errors. Similar illustrations.

KALDEWEI