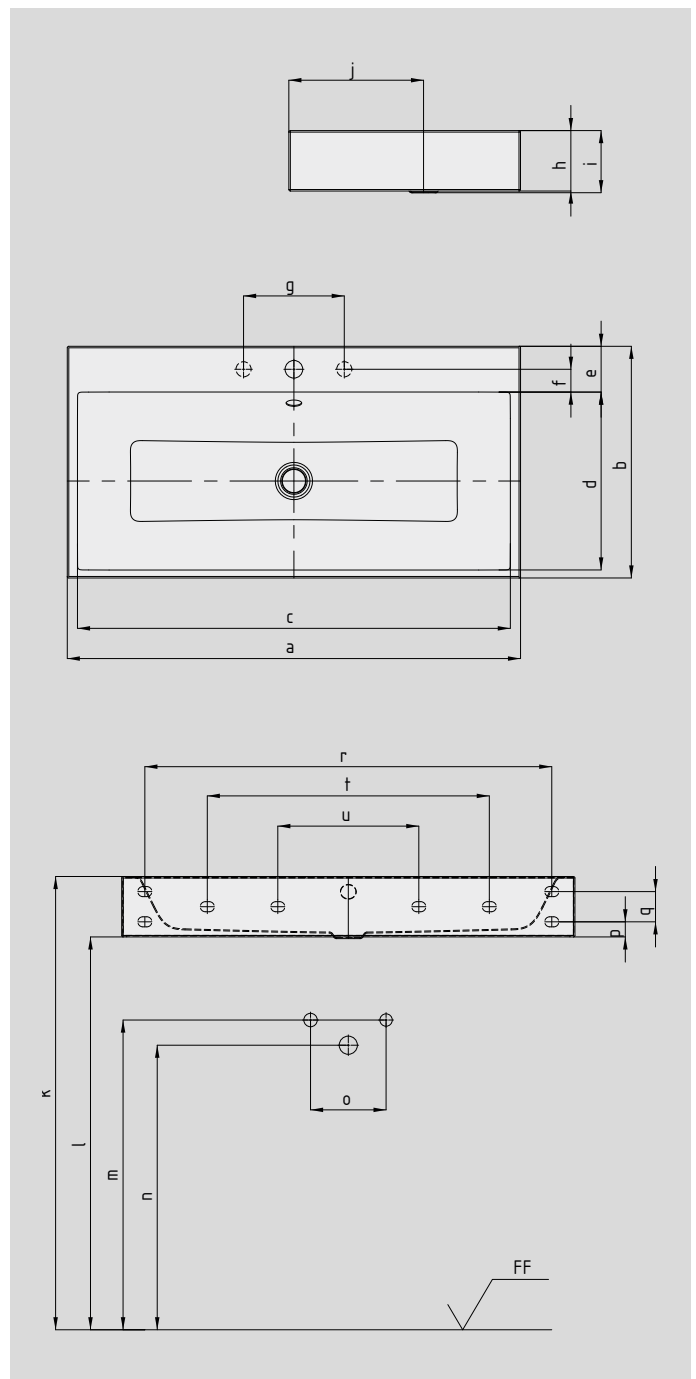


PURO WALL-MOUNTED WASHBASIN

- elegant rectangular washbasin in a classically minimalist design
- reduced precise edges
- very generous interior dimensions
- clean and timeless lines - immortalised in long-lasting KALDEWEI steel enamel
- harmonises perfectly with the PURO bath series
- designed by Anke Salomon



Similar illustrations



Model No.		3163	3164	3165
External length	a	460	600	900 mm
External width	b	460	460	460 mm
Internal length	c	420	560	860 mm
Internal width	d	345	345	345 mm
Depth of tap deck	e	95	95	95 mm
Distance tap holes to edge	f	45	45	45 mm
Distance of tap holes	g	200	200	200 mm
Height of rim	h	120	120	120 mm
Distance basin surface to bottom edge of waste hole	i	113	123	123 mm
Distance rear edge to centre of waste hole	j	267,5	267,5	267,5 mm
Distance FF*1 to top edge of basin surface	k	820-850	820-850	820-850 mm
Distance FF*1 to bottom edge (washbasin)	l	700-730	700-730	700-730 mm
Distance FF*1 to centre of water inlet	m	520-580	520-580	520-580 mm
Distance FF*1 to centre of drain hole wall connection	n	570-600	570-600	570-600 mm
Distance hot/cold water inlet	o	80-150	80-150	80-150 mm
Distance bottom edge to centre of fixing hole	p	60	30	30 mm
Centre-to-centre distance of fixing holes	q		60	60 mm
Outer distance of fixing holes*2	r		520	808 mm
Central distance of fixing holes*2	t			560 mm
Inner distance of fixing holes*2	u	380	280	280 mm
Weight of the enamelled washbasin in kg		10,6	12,6	17,1

*1 Finished floor level.

*2 Check the recommended number of fixing holes before purchasing the fittings (varies depending on size of washbasin). Subject to technical alterations, tolerances and errors. Similar illustrations.