

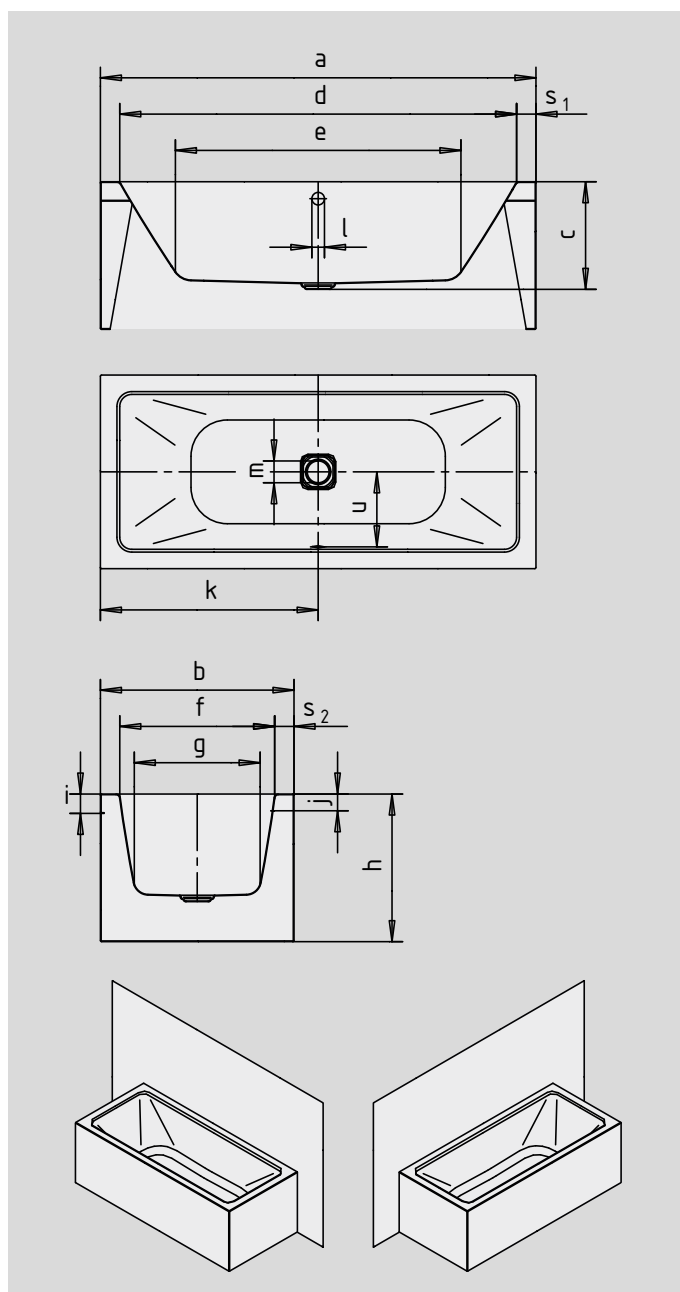
MEISTERSTÜCK CONODUO 2

FRONT WALL INSTALLATION (3-SIDED)

- bath made of high-quality steel enamel with enamelled panelling on three sides
- enamel surface with exclusive easy-clean finish
- straight-lined, purist design
- enamelled waste cover and overflow knob integrated in the bath design (also available with filling function)
- made of KALDEWEI steel enamel
- designed by Sottsass Associati



Similar illustrations



| Model No. | | 1722 | 1723 |
|--|---------------------------------|-------------|----------------|
| External length | a | 1700 | 1800 mm |
| External width | b | 750 | 800 mm |
| Depth | c | 445 | 445 mm |
| Internal length (top) | d | 1540 | 1640 mm |
| Internal length (bottom) | e | 1080 | 1180 mm |
| Internal width (top) | f | 590 | 640 mm |
| Internal width (bottom) | g | 470 | 520 mm |
| Height of bath | h | 610 | 610 mm |
| Height of rim | i | 80 | 80 mm |
| Distance top edge to centre of overflow hole | j | 70 | 70 mm |
| Distance bath edge to centre of drain hole | k | 850 | 900 mm |
| Diameter of overflow hole | l | 52 | 52 mm |
| Diameter of drain hole | m | 90 | 90 mm |
| Width of rim (foot end; lengthwise) | s ₁ ; s ₂ | 80; 80 | 80; 80 mm |
| Distance between centre holes | u | 285 | 310 mm |
| Water volume** in litres | | 122 | 159 |
| Weight of the enamelled bath in kg | | 109 | 118 |
| Waste connection diameter | | 40/50 | 40/50 mm |
| Fill fitting connection | | 1/2" | 1/2" |

Subject to technical alterations, tolerances and errors. Similar illustrations.
** 70 litres displacement on average.

KALDEWEI