

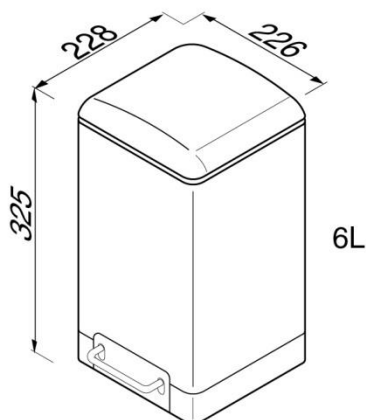
Hotel collection

91646

Square Pedal bin 6 L



- Square model
- Finish: Polished
- Guarantee 5 years
- Soft Close
- Easy pick-up
- Bag lock in inner bin
- Anti-Fingerprint coating
- Removable PP inner bin
- Free standing



- 226x228x325 mm

Quality has proven to be of decisive importance in recent years, which is why we can offer a 12-year warranty period for our chrome products. The entire selection is developed in Amersfoort. Geesa is certified according to the ISO 9001-2008 standard for design, productions and the delivery of bathroom accessories. Geesa reserve the right to change product specification.

04/2017