



Hotel collection

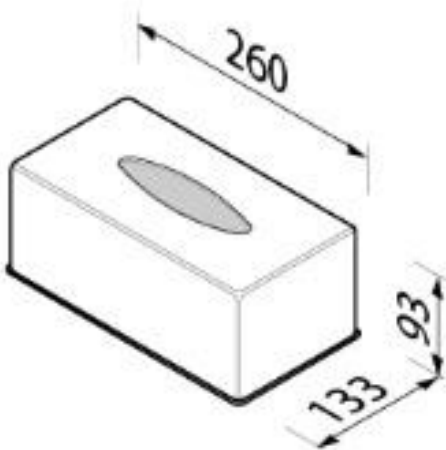
911210-05

Tissue holder



Tissue holder

- Finish: brushed
- ABS bottom
- Coated with clear lacquer for easy cleaning and extra corrosion protection
- Can be used as free standing or wall mounted
- Cover opens with a hinge
- Guarantee 5 years



- 260x133x93 mm

Quality has proven to be of decisive importance in recent years, which is why we can offer a 12-year warranty period for our chrome products. The entire selection is developed in Amersfoort. Geesa is certified according to the ISO 9001-2008 standard for design, productions and the delivery of bathroom accessories. Geesa reserve the right to change product specification.

10/2015