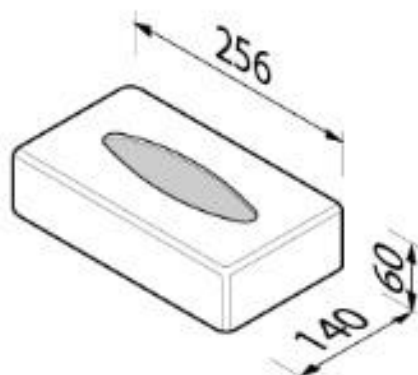

 **Hotel collection**

911210-02
Tissue holder



Tissue holder

- Finish: chrome
- Material: ABS
- Can be used as free standing or wall mounted
- Including doubled sided tape and plug/screw –set for wall mounting
- Guarantee 12 years



- 256x140x60 mm

Quality has proven to be of decisive importance in recent years, which is why we can offer a 12-year warranty period for our chrome products. The entire selection is developed in Amersfoort. Geesa is certified according to the ISO 9001-2008 standard for design, productions and the delivery of bathroom accessories. Geesa reserve the right to change product specification.

10/2015