

---

 **Hotel collection**

91121

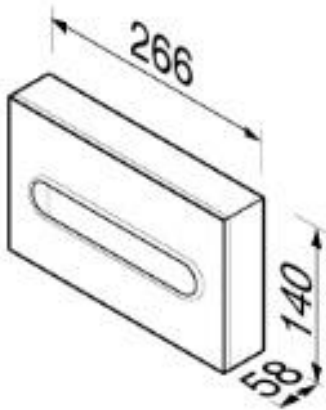
Tissue holder

---



Tissue holder chromed stainless steel

- Finish: chrome
- Guarantee 12 years



- 266x140x58 mm

---

Quality has proven to be of decisive importance in recent years, which is why we can offer a 12-year warranty period for our chrome products. The entire selection is developed in Amersfoort. Geesa is certified according to the ISO 9001-2008 standard for design, productions and the delivery of bathroom accessories. Geesa reserve the right to change product specification.

10/2015