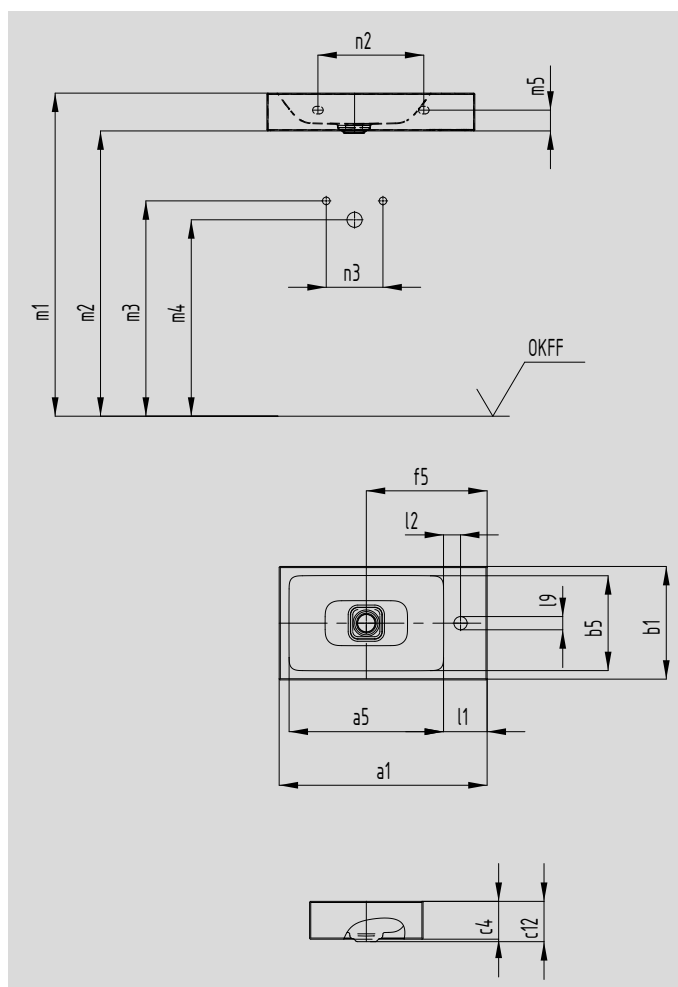


CONO WALL-HUNG HANDBASIN (TAP HOLE LEFT OR RIGHT)

- washbasin with premium character exudes elegance and harmony
- optimally integrated enamelled waste accentuates the underlying geometry of the washbasin
- unusually generous rim provides space for fittings or individual accessories
- perfectly complements the CONO range



Similar illustrations



Model No.		3073
External length	a1	550 mm
Internal length	a5	408,85 mm
External width	b1	300 mm
Internal width	b5	250,5 mm
Height of rim	c4	100 mm
Distance basin surface to bottom edge of waste hole	c12	102 mm
Distance outer edge to centre of waste hole	f5	150 mm
Depth of tap deck	l1	115,5 mm
Distance tap holes to edge	l2	45 mm
Diameter of centre tap hole	i9	35 mm
Distance FF*1 to top edge of basin surface	m1	820-850 mm
Distance FF*1 to bottom edge (washbasin)	m2	700 -730 mm
Distance FF*1 to centre of water inlet	m3	570-600 mm
Distance FF*1 to centre of drain hole wall connection	m4	520-580 mm
Distance bottom edge to centre of fixing hole	m5	65 mm
Inner distance of fixing holes	n2	280 mm
Distance hot/cold water inlet	n3	80-150 mm
Weight of the enamelled washbasin in kg		8,16

*1 Finished floor level.
Subject to technical alterations, tolerances and errors. Similar illustrations.